

WIRING OVATION™ ATS TO A BRIGGS & STRATTON® OR EATON/CUTLER-HAMMER® STATIONARY GENERATOR



1-888-GEN-TRAN

This Diagram Covers These Models:

<u>Briggs & Stratton</u>	<u>EATON</u>	<u>Size</u>
040204		10 kW
040210		15 kW
040211		20 kW
040212	CHGEN12000	12 kW
040213	CHGEN15000	15 kW
040226	EGEN20	20 kW
040227		18 kW
040228		18 kW
040229	CHGEN12000	12 kW
040234	CHGEN15000	15 kW
040265	EGEN20	20 kW
040273		12 kW
040275		15 kW
040276		20 kW
040277		18 kW
040297		13.5 kW

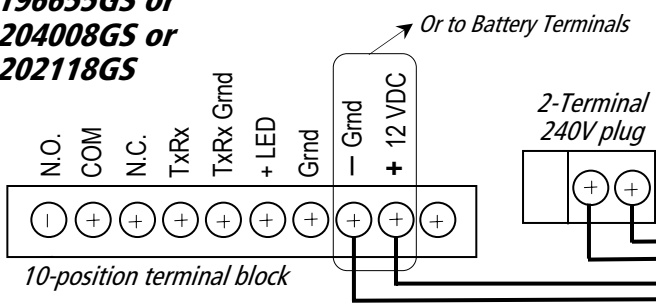
Additional Parts Required:

- | | |
|---------------------------|--------|
| 1. GenTran PN: ATSRK | 1 |
| 2. 18-4 300V control wire | varies |

Notes:
 • All control wire should be minimum 18AWG, 300 V rated

Generator with Controller:

- 196655GS or
- 204008GS or
- 202118GS



GenTran® Ovation™ Series ATS

